

IN-WALL



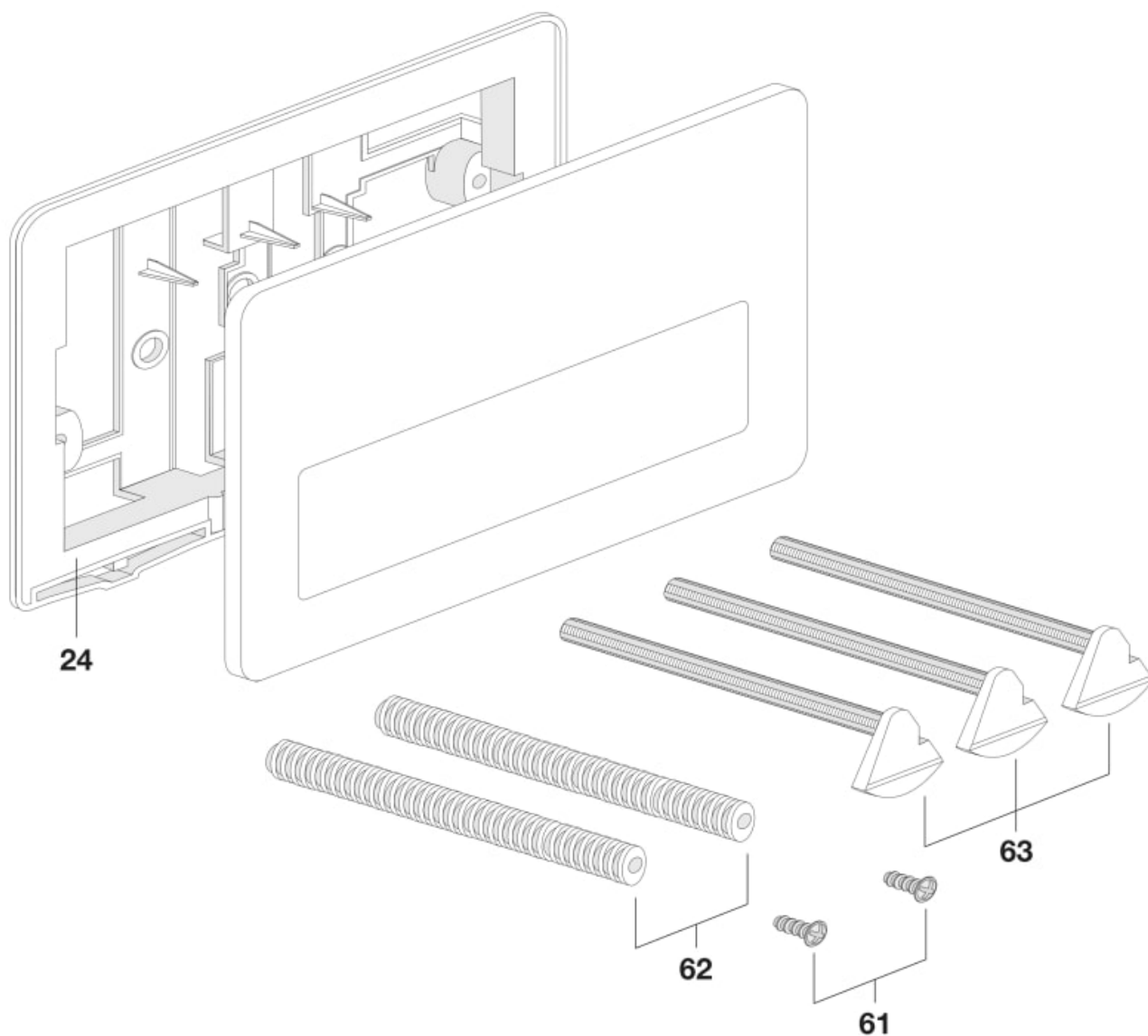
**PL3 PRO SINGLE - Vandal-proof stainless steel single flush operating plate for concealed cistern**

DIMENSIONS

Length 259 mm  
Height 169 mm

COLOURS AND FINISHES

■ 4 Stainless Steel



SPARE-PARTS